

PRODUCT INFORMATION PACKET

Model No: 143TTDR16009
Catalog No: GT2003
1 1/2,3600,DP,143JMV,3/60/200
JM



Regal and Marathon are trademarks of Regal Beloit Corporation or one of its affiliated companies.
©2018 Regal Beloit Corporation, All Rights Reserved. MC017097E





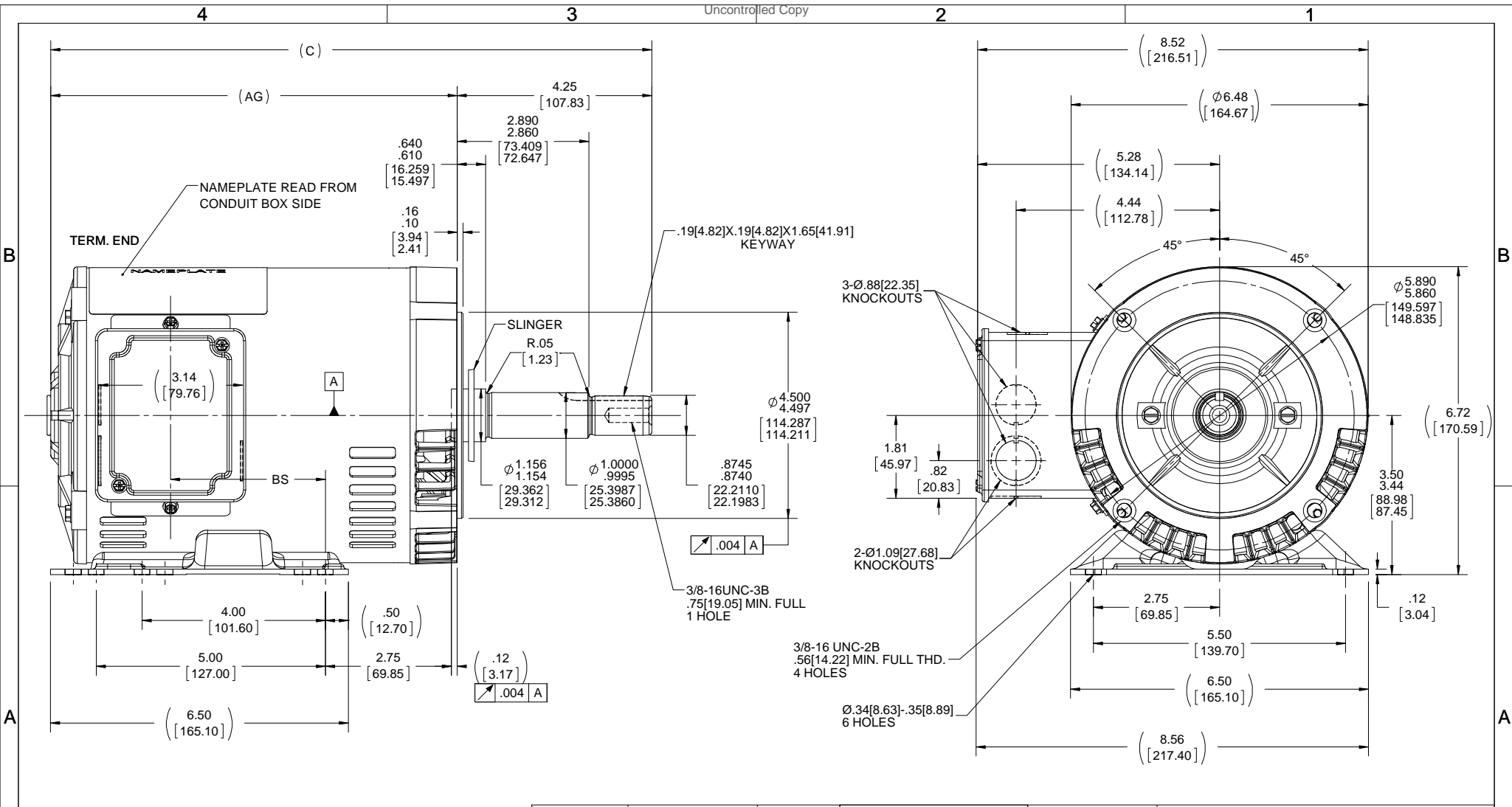
Nameplate Specifications

Output HP	1.50 Hp	Output KW	1.1 kW
Frequency	60 Hz	Voltage	200 V
Current	4.4 A	Speed	3515 rpm
Service Factor	1.15	Phase	3
Efficiency	86.5 %	Duty	Continuous
Insulation Class	F	Design Code	B
KVA Code	L	Frame	143JM
Enclosure	Drip Proof	Overload Protector	No
Ambient Temperature	40 °C	Drive End Bearing Size	6206
Opp Drive End Bearing Size	6203	UL	Recognized
CSA	Y	CE	Y
IP Code	22		

Technical Specifications

Electrical Type	Squirrel Cage Inverter Rated	Starting Method	Line Or Inverter
Poles	2	Rotation	Reversible
Mounting	Rigid base	Motor Orientation	Horizontal Or Shaft Down
Drive End Bearing	Ball	Opp Drive End Bearing	Ball
Frame Material	Rolled Steel	Shaft Type	JM
Overall Length	14.62 in	Frame Length	8.56 in
Shaft Diameter	0.875 in	Shaft Extension	4.25 in
Assembly/Box Mounting	F1 Only		
Outline Drawing	A-100130-856	Connection Diagram	A-EE7300

This is an uncontrolled document once printed or downloaded and is subject to change without notice. Date Created: 07/02/2018

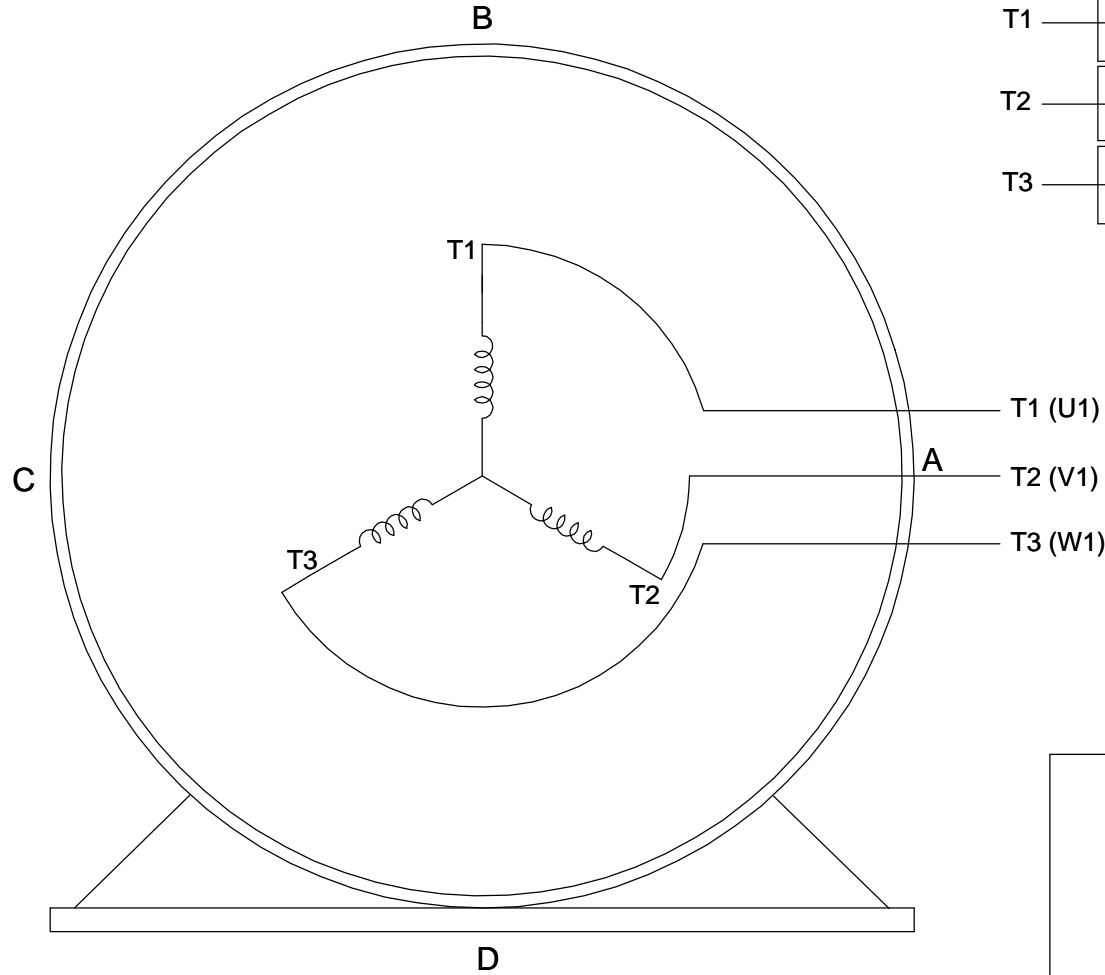
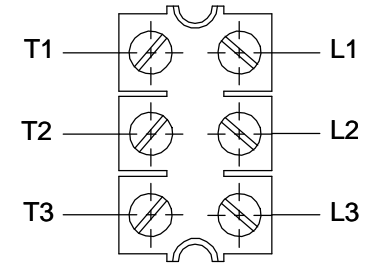


DASH NO.	"C"	"AG"	"BS"	DRAWING REVISION	REVISION BY	DATE	TOLERANCES UNLESS OTHERWISE SPECIFIED:	DRAWN BY	Regal Beloit America, Inc.	
706	13.11[332.99]	8.87[225.29]	3.37[85.59]	F	A. KEETHA	01/05/2018	DEC. ±0.1 [±2.5]	SMC		
756	13.61[345.69]	9.37[237.99]	3.87[98.29]	ECO-0143026	PST	04/11/2018	.XX ±0.03 [±0.76]	09-30-1999		
806	14.11[358.39]	9.87[250.69]	4.37[110.99]	ECO DESCRIPTION			.XXX ±0.005 [±0.127]	APPROVED BY		
856	14.61[371.09]	10.37[263.39]	4.87[123.69]	OUTLINE CONVERSION PROJECT <small>COPYRIGHT REGAL BELOIT AMERICA, INC. ALL RIGHTS RESERVED. PROPRIETARY AND CONFIDENTIAL INFORMATION - THIS DOCUMENT IS THE PROPERTY OF REGAL BELOIT AMERICA, INC. ("OWNER") AND CONTAINS OWNER'S PROPRIETARY INFORMATION. ANY PERSON, CORPORATION OR OTHER FIRM RECEIVING IT IS DEEMED, BY RECEIVING IT, TO AGREE THAT IT, AND/OR ANY PART OF IT, SHALL NOT BE DISCLOSED TO ANY PERSON, CORPORATION OR OTHER ENTITY, DUPLICATED, AND/OR USED, EXCEPT AS EXPRESSLY APPROVED IN WRITING IN ADVANCE BY OWNER. THIS DOCUMENT SHALL BE RETURNED TO OWNER UPON REQUEST. IT MAY BE SUBJECT TO CERTAIN RESTRICTIONS UNDER APPLICABLE EXPORT CONTROL LAWS AND REGULATIONS.</small>			ML	DESCRIPTION		
906	15.11[383.79]	10.87[276.09]	5.37[136.39]				MACHINED SURFACES: 200 INCH 5.1 mm SHOWN IN [BRACKETS]	DATE	OUTLINE 140 FR. - DR. PR. 3Ø - C'FACE JM EXT.	
								REFERENCE	MATERIAL	PROCESS/FINISH
								THIRD ANGLE PROJECTION	100130	
								SIZE	DRAWING NUMBER	SHEET
								B	100130	1 OF 1

**THREE PHASE - SINGLE VOLTAGE
MOTOR - CONDUIT BOX @ 'A'**

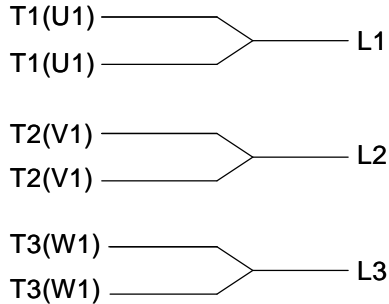
**TO REVERSE ROTATION:
INTERCHANGE ANY TWO
LINE LEAD CONNECTIONS.**

TERMINAL BLOCK WHEN SPECIFIED



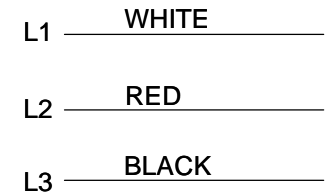
VIEW OF TERMINAL END

**IF MOTOR HAS
6 LEADS**



A-9806 DECAL

**OPTIONAL CORD
CONNECTION**



DRAWING REVISION AB	REVISION BY JJB	DATE 06-27-2017
ECO ECO-0125361	APPROVED BY TB	DATE 06-27-2017
ECO DESCRIPTION UPDATED TO CURRENT STANDARDS		
<small>COPYRIGHT REGAL BELOIT AMERICA, INC. ALL RIGHTS RESERVED. PROPRIETARY AND CONFIDENTIAL INFORMATION - THIS DOCUMENT IS THE PROPERTY OF REGAL BELOIT AMERICA, INC. ("OWNER") AND CONTAINS OWNER'S PROPRIETARY INFORMATION. ANY PERSON, CORPORATION OR OTHER FIRM RECEIVING IT IS DEEMED, BY RECEIVING IT, TO AGREE THAT IT, AND/OR ANY PART OF IT, SHALL NOT BE DISCLOSED TO ANY PERSON, CORPORATION OR OTHER ENTITY, DUPLICATED, AND/OR USED, EXCEPT AS EXPRESSLY APPROVED IN WRITING IN ADVANCE BY OWNER. THIS DOCUMENT SHALL BE RETURNED TO OWNER UPON REQUEST. IT MAY BE SUBJECT TO CERTAIN RESTRICTIONS UNDER APPLICABLE EXPORT CONTROL LAWS AND REGULATIONS.</small>		



DRAWN BY DA
DATE 03-26-1993
APPROVED BY TB
DATE 03-26-1993
REFERENCE
THIRD ANGLE PROJECTION

Regal Beloit America, Inc.	
DESCRIPTION CONNECTION DIAGRAM EXTERNAL - SINGLE VOLTAGE - 3Ø MOTOR	
MATERIAL	PROCESS/FINISH
SIZE A	DRAWING NUMBER EE7300
SHEET 1 OF 1	

Data Sheet

143TDR16009



Submission
Data @ 200 V

Date: 6/19/2017
Customer:
Attention:
Submitted by: FAREEDA DUDEKULA

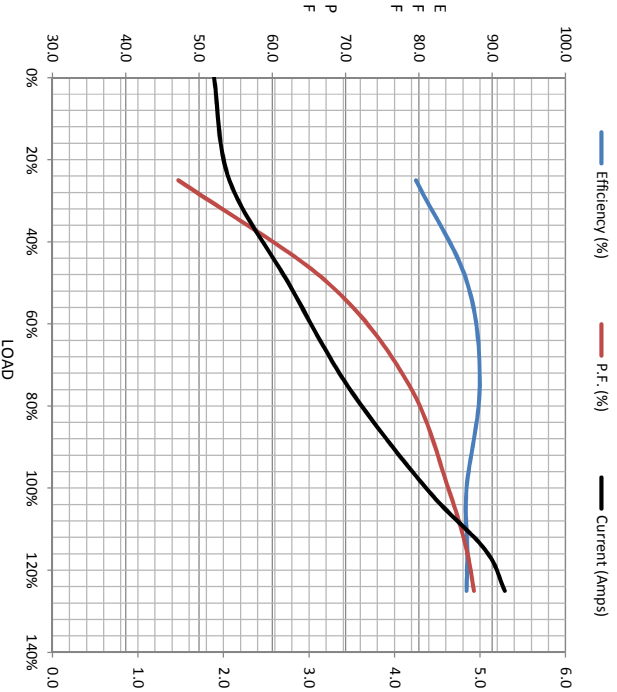
Load	Motor Load Data							
	0%	25%	50%	75%	100%	115%	125%	LR
Current (Amps)	1.89	2.07	2.76	3.5	4.4	5.1	5.3	42.8
Torque (ft-lb)	0.00	0.55	1.10	1.68	2.25	2.60	2.80	6.8
RPM	3600	3580	3560	3540	3515	3.505	3.495	0
Efficiency (%)		79.6	86.6	88.3	86.5	86.6	86.5	
P.F. (%)	14.3	47.2	67.6	78.7	84.0	86.5	87.5	62.5

Motor Speed Data

	LR	Pull-Up	BD	Rated	Idle
Speed (rpm)	0	215	2700	3515	3600
Current (Amps)	42.8	43.0	26.9	4.4	1.89
Torque (ft-lb)	6.8	5.7	10.0	2.25	0.00

Information Block

HP	1.5
Sync. RPM	3600
Frame	143
Enclosure	DP
Construction	TDR
Voltage	200 V
Frequency	60 HZ
Design	A
LR Code letter	L
Service Factor	1.15
Temp Rise @ FL	20 °C
Duty	CONT
Ambient	40 °C
Elevation	1,000 feet
Rotor/Shaft wk ^e	0.00 Lb-Fe
Rel Wdg	Z1Z168 DR
Sound Pressure @ 1M	68 dBA
VFD Rating	CONSTANT 2:1
Outline Dwg	A-100130-856
Conn. Diag	A-EEZ300
Additional Specifications:	
EQUIV CKT (OHMS / PHASE)	
R1	R2
1.0010	0.7150
X1	X2
1.7520	1.7870
Xm	
	67.9190



Speed - Torque Curve

